

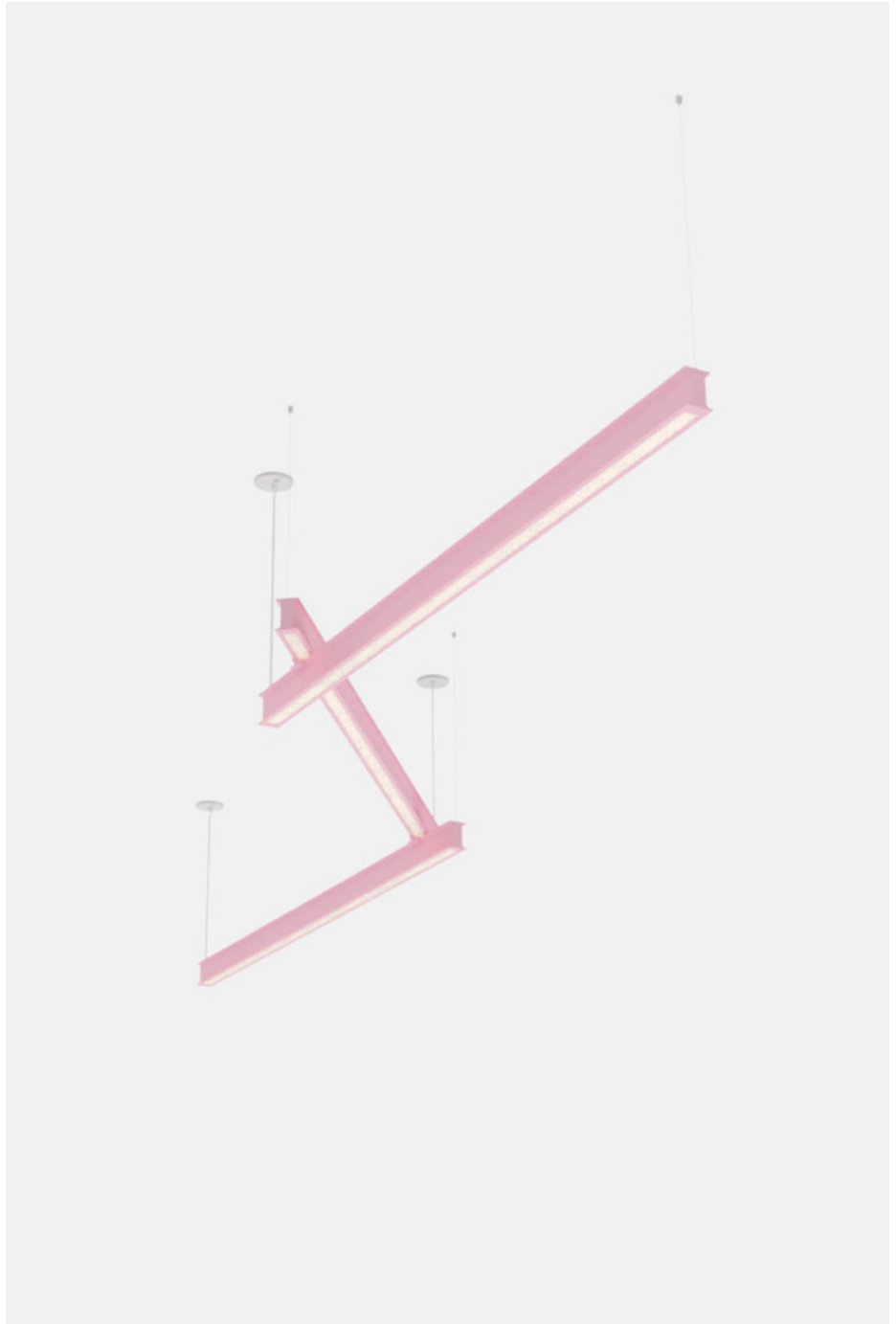
Latis Zig Zag

Pendants



Rich Brilliant Willing

50 Greene St
New York NY 10013
T +1 212 388 1621
sales@rbw.com



For 2D & 3D drawings of all products, including CAD, Revit and IES files, please visit rbw.com

triode

28 rue Jacob 75006 Paris
+33 (0)1 43 29 40 05

contact@triodedesign.com
www.triodedesign.com

Latis Zig Zag

Pendants



DESCRIPTION

Engineered with versatility in mind, Latis's intelligent, fail-safe design easily adapts to a wide range of spaces, looks, and architectural conditions. Evocative of a structural I-beam, its deceptively minimalist profile packs robust performance capabilities into RBW's new optic platform.

MATERIALS

Extruded aluminum, extruded acrylic lens

COLLECTION NOTES

In addition to the (2) fixed hang points, each linear run comes with (1) flexible, sliding hang point. If your project requires additional sliding hang points, please reach out to your sales rep. For pricing on large quantity orders, please contact sales@rbw.com.

PERFORMANCE

4'-8'-4': 17,74 lm per light source | 8'-4'-8': 22,180 lm per light source | 8'-8'-8': 26,616 lm per light source

Power consumption pending

Luminaire watts pending

Lumens / watt pending

90 CRI

LED LIFESPAN

50k hours

triode

28 rue Jacob 75006 Paris
+33 (0)1 43 29 40 05

contact@triodedesign.com
www.triodedesign.com

Latis Zig Zag



Pendants

Specification Logic

| SIZE | |
|-------------|-----|
| 4'-8'-4' | 484 |
| 8'-4'-8' | 848 |
| 8'-8'-8' | 888 |

| PRIMARY FINISH | |
|-----------------------|------|
| Natural Anodized | AA01 |
| Black Anodized | AA04 |
| Blue Anodized | AA07 |
| Matte White | PC20 |
| Chalk Pink | PC60 |
| Custom Powder Coat | PCXX |

| DIRECT LIGHT | |
|---------------------|------|
| Asymmetrical | DASY |
| Diffused Lens | DDIF |
| Narrow Beam | DNB |
| No Direct | DNO |

| INDIRECT LIGHT | |
|-----------------------|------|
| Asymmetrical | IASY |
| 140 Batwing | IBAT |
| Diffused Lens | IDIF |
| Narrow Beam | INB |
| No Indirect | INO |

| CCT | |
|----------------------------|----|
| 2700K (warm white) | 27 |
| 3000K (soft white) | 30 |
| 3500K (neutral white) | 35 |
| 4000K (cool white) | 40 |
| 2700-5000K (Tunable White) | TW |

| INPUT / CONTROL / POWER | |
|-----------------------------------|------------|
| 110-277V Input 0-10V, 1% dimming | 277_10_DIN |
| 110-277V Input Dali, 0.1% dimming | 277_DL_DIN |

SENSOR

Integrated Enlighted Sensor

ENL

Without Sensor

NO_S

YOUR PRODUCT CODE

LS3-888-PC60-DASY-IASY-27-277_10_DIN-ENL

triode

28 rue Jacob 75006 Paris
+33 (0)1 43 29 40 05

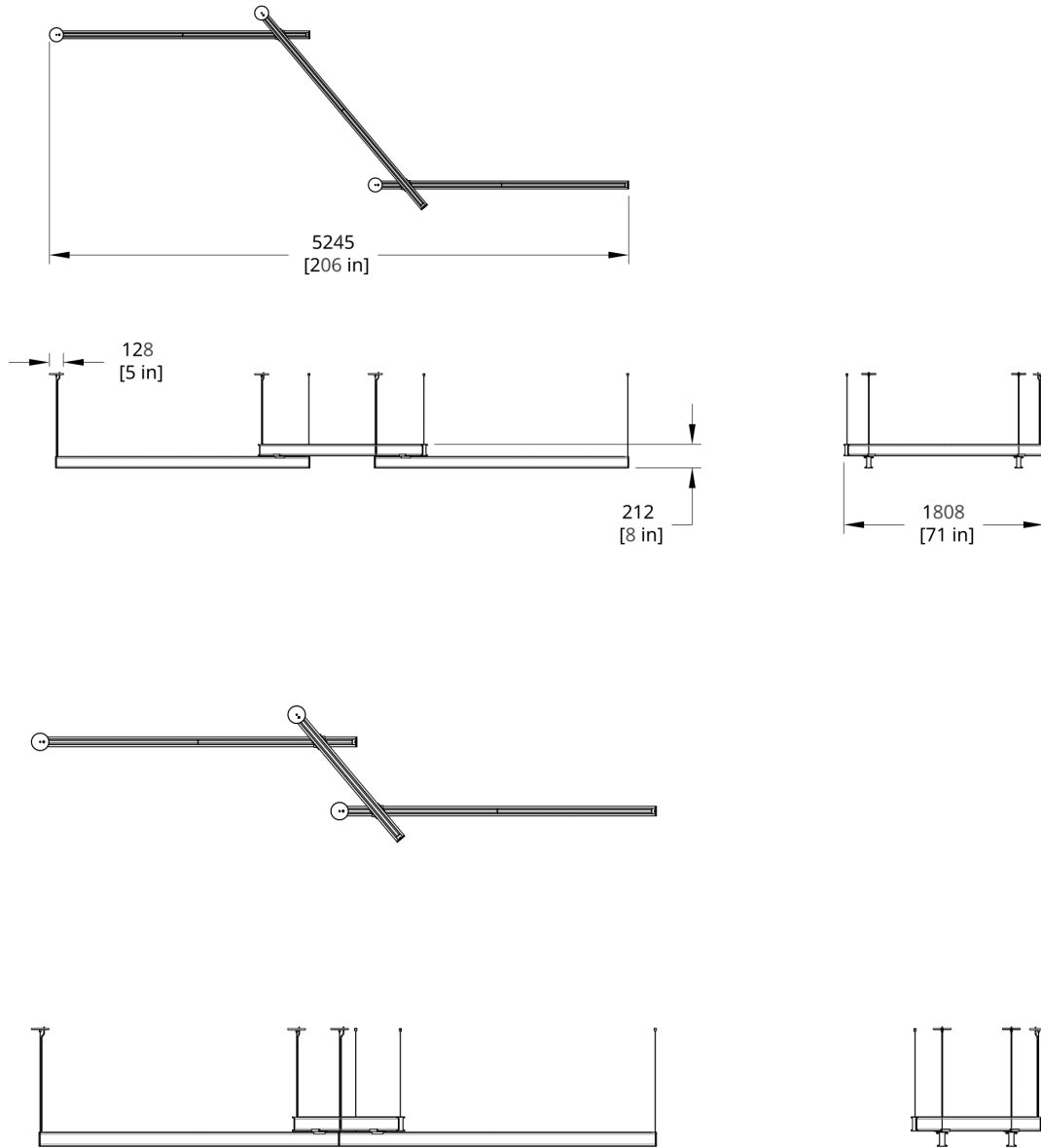
contact@triodedesign.com
www.triodedesign.com

Latis Zig Zag



Pendants

Drawings

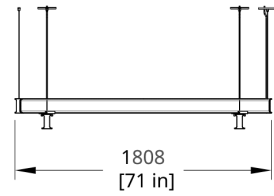
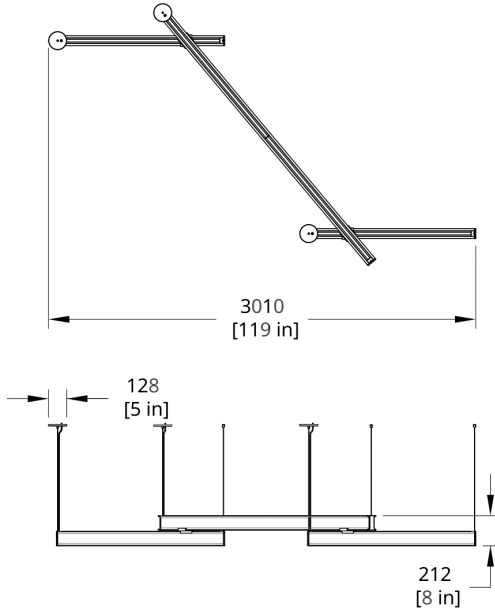


triode

28 rue Jacob 75006 Paris
+33 (0)1 43 29 40 05

contact@triodedesign.com
www.triodedesign.com

Drawings cont.



triode

28 rue Jacob 75006 Paris contact@triodedesign.com
+33 (0)1 43 29 40 05 www.triodedesign.com